

# FI ND E MP

Element filtra za filter niskog pritiska MP

**HANSA FLEX**

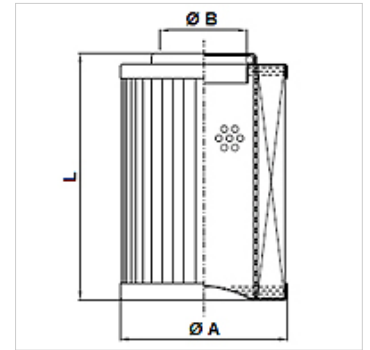
## Osobine

Temperatura min. -25 °C

Temperatura max. 120 °C

Materijal Zaptivka: NBR

Radni pritisak maks. 10 bara



## Artikal

Naziv	Filterska jedinica ( $\mu\text{m}$ )	Površina filtera ( $\text{cm}^2$ )	Filter material	L (mm)	Ø A (mm)	Ø B (mm)	Težina (kg)
FI ND E MP 0040 A06	6,0	405	neorganski	90,0	42,0	22,8	0,15
FI ND E MP 0150 A10	10,0	2943	neorganski	375,0	78,0	40,5	0,70

Qmax - maks. volumen protoka