

# FI SP E HE

Element filtra za Spin-On filter HE

**HANSA FLEX**

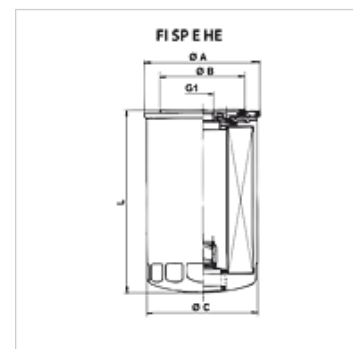
## Osobine

Temperatura min. -25 °C

Temperatura max. 120 °C

Materijal Zaptivka: NBR

Radni pritisak maks. 12 bara



## Artikal

Naziv	Filterska jedinica ( $\mu$ m)	Filter material	G1	Ø A (mm)	Ø B (mm)	Ø C (mm)	L (mm)	Težina (kg)
<b>FI SP E HE 0260 P15</b>	15,0	organic	1.1/8" -12 UNF	110,0	93,0	107,9	260,9	1,18

Qmax - maks. volumen protoka