

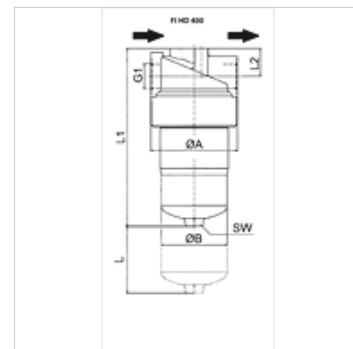
# FI HD 400

Visokopritisni filter od 400bara

**HANSA FLEX**

## Osobine

Verzija	bez bajpas ventila, bez prikaza stepena zaprljanosti
Temperatura min.	-10 °C
Temperatura max.	120 °C
Materijal	Glava filtera od GGG
Radni pritisak	maks. do 400 bara
Obim isporuke	uklj. elemenat filtera



## Napomena

Mera "L": neophodan slobodni prostor za zamenu filterskog elementa

## Opis

Filter pod pritiskom za ugradnju u cevovodu

Diferencijalni pritisak za neorganski elemenat filtera (A) maks. 210 bar

Priključak za prikaz stepena zaprljanosti M20 x 1,5 sa zatvoren zavrtnjem

## Artikal

Naziv	Filterska jedinica (µm)	Površina filtera (cm <sup>2</sup> )	G1	Q max. (L/min)	L (mm)	L1 (mm)	L2 (mm)	Ø A (mm)	Ø B (mm)	BD (bar)	SW (mm)	Težina (kg)
FI HD 040 A06 N 001 G12	6,0	470	G 1/2"	40	80,0	189,0	31,0	92,0	66,0	400	27	3,9
FI HD 050 A10 N 001 G12	10,0	470	G 1/2"	50	80,0	189,0	31,0	92,0	66,0	400	27	3,9
FI HD 070 A06 N 001 G34	6,0	900	G 3/4"	70	80,0	267,0	31,0	92,0	66,0	400	27	4,2
FI HD 090 A10 N 001 G34	10,0	900	G 3/4"	90	80,0	267,0	31,0	92,0	66,0	400	27	4,2
FI HD 085 A06 N 001 G34	6,0	1275	G 3/4"	85	80,0	343,0	31,0	92,0	66,0	400	27	5,7
FI HD 100 A10 N 001 G34	10,0	1275	G 3/4"	100	80,0	343,0	31,0	92,0	66,0	400	27	5,7
FI HD 170 A06 N 001 G114	6,0	2010	G 1.1/4"	170	110,0	284,0	46,0	143,5	109,0	400	30	9,4
FI HD 150 A10V N 010	10,0	2010	G 1.1/4"	195	110,0	284,0	46,0	143,5	109,0	400	30	6,0
FI HD 260 A06 N 001 G114	6,0	3800	G 1.1/4"	260	110,0	409,0	46,0	143,5	109,0	400	30	16,5
FI HD 300 A10 N 001 G114	10,0	3800	G 1.1/4"	300	110,0	409,0	46,0	143,5	109,0	400	30	16,5

Qmax - maks. volumen protoka – A10 sa anorganskim filterom (10 µm), apsolutno filtriranje – P10 papirni filter (10 µm), nominalno filtriranje – BD = radni pritisak

## Pribor

HK VA PIS M Mehanički prikaz stepena zaprljanosti

HK VA PIS EL Električni prikaz stepena zaprljanosti

## Rezervni delovi

FI HD E MA Elemenat filtera za visokopritisni filter MA

FI HD GEH Kućište za visokopritisni filter od 400bara