

# FI SP E MA

Element filtra za Spin-On filter MA

**HANSA FLEX**

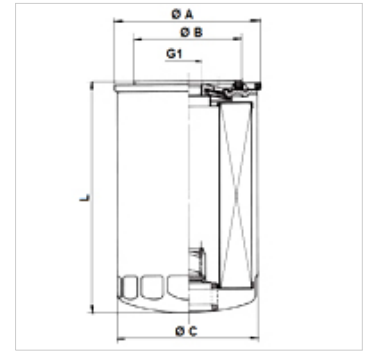
## Osobine

Temperatura min. -25 °C

Temperatura max. 120 °C

Materijal Zaptivka: NBR

Radni pritisak maks. 12 bara



## Artikal

Naziv	Filterska jedinica ( $\mu\text{m}$ )	Filter material	G1	$\varnothing$ A (mm)	$\varnothing$ B (mm)	$\varnothing$ C (mm)	L (mm)	Težina (kg)
FI SP E MA 0004 P20	20,0	organic	1.1/8" -16 UN	108,0	93,0	103,0	261,0	0,42

Qmax - maks. volumen protoka