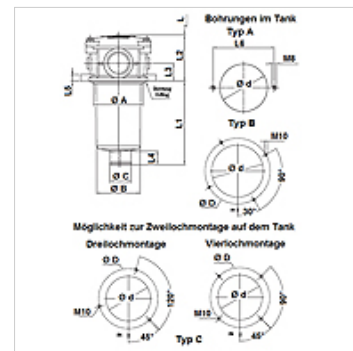


Osobine

Verzija	sa bajpas ventilom 1,75 bar, bez prikaza stepena zaprljanosti
Temperatura min.	-25 °C
Temperatura max.	110 °C
Materijal	Zaptivka: NBR
Radni pritisak	maks. 8 bara
Obim isporuke	uklj. element filtera



Napomena

Mera "L": neophodan slobodni prostor za zamenu filterskog elementa

Opis

Filter povratnog voda za ugradnju u poklopac rezervoara, za dimenzije šeme otvora vidi grafiku.

Diferencijalni pritisak za papirni (P) elemenat filtera maks. 3 bar

Diferencijalni pritisak za neorganski elemenat filtera (A) maks. 10 bar

Connector for clogging indicator G 1/8" closed with bolt

Konstruisano (Qmax.) za medijum u skladu sa standardom ISO VG 46 pri 50°C (30 mm2/s) na $\Delta p_{ges} = 0,4$ bar

Artikal

Naziv	Priključak voda	Ø A	Ø B	Ø C	Ø D	Ø d	Q max. (L/min)	L	L1	L2	L3	L4	L5	L6	Tip	Težina (kg)
FI RL 024 A10 N V G1/2	G 1/2"	66,0	60,0	32,0	90,0	67,0	24	100,0	86,0	59,0	22,0	19,0	8,0	90,0	A	0,36
FI RL 048 P10 N V G1/2	G 1/2"	66,0	60,0	32,0	90,0	67,0	60	100,0	86,0	59,0	22,0	19,0	8,0	90,0	A	0,40
FI RL 053 A10 N V G1/2	G 1/2"	88,0	80,0	38,0	115,0	89,0	53	120,0	100,0	82,0	32,0	24,0	12,0	115,0	A	0,74
FI RL 110 P10 N V G1/2	G 1/2"	88,0	80,0	38,0	115,0	89,0	86	120,0	100,0	82,0	32,0	24,0	12,0	115,0	A	0,61
FI RL 053 A10 N V G3/4	G 3/4"	88,0	80,0	38,0	115,0	89,0	53	120,0	100,0	82,0	32,0	24,0	12,0	115,0	A	0,74
FI RL 086 P10 N V G3/4	G 3/4"	88,0	80,0	38,0	115,0	89,0	86	120,0	100,0	82,0	32,0	24,0	12,0	115,0	A	0,74
FI RL 053 A10 N V G1	G 1"	88,0	80,0	38,0	115,0	89,0	53	120,0	100,0	82,0	32,0	24,0	12,0	115,0	A	0,76
FI RL 086 P10 N V G1	G 1"	88,0	80,0	38,0	115,0	89,0	86	120,0	100,0	82,0	32,0	24,0	12,0	115,0	A	0,76
FI RL 064 A10 N V G3/4	G 3/4"	88,0	80,0	38,0	115,0	89,0	64	170,0	150,0	80,0	32,0	24,0	12,0	115,0	A	0,76
FI RL 150 P10 N V G3/4	G 3/4"	88,0	80,0	38,0	115,0	89,0	110	170,0	150,0	80,0	32,0	24,0	12,0	115,0	A	0,61
FI RL 064 A10 N V G1	G 1"	88,0	80,0	38,0	115,0	89,0	64	170,0	150,0	80,0	32,0	24,0	12,0	115,0	A	0,76
FI RL 150 P10 N V G1	G 1"	88,0	80,0	38,0	115,0	89,0	110	170,0	150,0	80,0	32,0	24,0	12,0	115,0	A	0,61
FI RL 125 A10 N V G3/4	G 3/4"	88,0	80,0	46,5	115,0	89,0	125	250,0	225,0	80,0	32,0	24,0	12,0	115,0	A	0,88
FI RL 225 P10 N V G3/4	G 3/4"	88,0	80,0	46,5	115,0	89,0	220	250,0	225,0	80,0	32,0	24,0	12,0	115,0	A	0,67
FI RL 125 A10 N V G1	G 1"	88,0	80,0	46,5	115,0	89,0	125	250,0	225,0	80,0	32,0	24,0	12,0	115,0	A	0,88
FI RL 225 P10 N V G1	G 1"	88,0	80,0	46,5	115,0	89,0	220	250,0	225,0	80,0	32,0	24,0	12,0	115,0	A	0,67
FI RL 230 A10 N V G11/4	G 1.1/4"	129,5	112,0	47,0	175,0	131,0	230	250,0	233,0	91,0	35,0	31,0	13,0	175,0	C	1,86
FI RL 190 P10 N V G11/4	G 1.1/4"	129,5	112,0	47,0	175,0	131,0	280	250,0	233,0	91,0	35,0	31,0	13,0	175,0	C	2,20
FI RL 290 A10 N V G11/4	G 1.1/4"	173,5	150,0	51,0	220,0	174,5	290	200,0	180,0	97,0	38,5	38,0	12,5	220,0	B	3,42
FI RL 280 P10 N V G11/4	G 1.1/4"	173,5	150,0	51,0	220,0	174,5	370	200,0	180,0	97,0	38,5	38,0	12,5	220,0	B	3,00
FI RL 290 A10 N V G11/2	G 1.1/2"	173,5	150,0	51,0	220,0	174,5	290	200,0	180,0	97,0	38,5	38,0	12,5	220,0	B	3,42
FI RL 370 P10 N V G11/2	G 1.1/2"	173,5	150,0	51,0	220,0	174,5	370	200,0	180,0	97,0	38,5	38,0	12,5	220,0	B	3,42
FI RL 290 A10 N V G2	G 2"	173,5	150,0	51,0	220,0	174,5	290	200,0	180,0	97,0	38,5	38,0	12,5	220,0	B	3,42
FI RL 370 P10 N V G2	G 2"	173,5	150,0	51,0	220,0	174,5	370	200,0	180,0	97,0	38,5	38,0	12,5	220,0	B	3,42
FI RL 450 A10 N V G11/2	G 1.1/2"	173,5	150,0	64,0	220,0	174,5	450	250,0	238,0	98,5	38,5	38,0	12,5	220,0	B	3,42
FI RL 320 P10 N V G11/2	G 1.1/2"	173,5	150,0	64,0	220,0	174,5	610	250,0	238,0	98,5	38,5	38,0	12,5	220,0	B	3,50
FI RL 540 A10 N V G11/2	G 1.1/2"	173,5	150,0	64,0	220,0	174,5	540	310,0	290,0	97,0	38,5	38,0	12,5	220,0	B	3,70
FI RL 420 P10 N V G11/2	G 1.1/2"	173,5	150,0	64,0	220,0	174,5	675	310,0	290,0	97,0	38,5	38,0	12,5	220,0	B	3,70
FI RL 540 A10 N V G2	G 2"	173,5	150,0	64,0	220,0	174,5	540	310,0	290,0	97,0	38,5	38,0	12,5	220,0	B	3,70
FI RL 675 P10 N V G2	G 2"	173,5	150,0	64,0	220,0	174,5	675	310,0	290,0	97,0	38,5	38,0	12,5	220,0	B	3,70
FI RL 620 A10 N V SAE2	2" SAE 3000 PSI/M	173,5	150,0	64,0	220,0	174,5	620	450,0	430,0	105,0	48,5	38,0	12,5	220,0	B	5,68
FI RL 750 P10 N V SAE2	2" SAE 3000 PSI/M	173,5	150,0	64,0	220,0	174,5	750	450,0	430,0	105,0	48,5	38,0	12,5	220,0	B	5,68
FI RL 620 A10 N V G2	G 2"	173,5	150,0	64,0	220,0	174,5	620	450,0	430,0	105,0	48,5	38,0	12,5	220,0	B	5,68
FI RL 750 P10 N V G2	G 2"	173,5	150,0	64,0	220,0	174,5	750	450,0	430,0	105,0	48,5	38,0	12,5	220,0	B	5,68

A10 sa anorganskim filterom (10 µm), apsolutno filtriranje – P10 papirni filter (10 µm), nominalno filtriranje – Qmax - maks. volumen protoka



Pribor

HK VA MAN Clogging indicator pressure gauge

FI RL RVL Produžetak cevi za filter povratnog voda

Rezervni delovi

FI RL E MP Element filtera za filter povratnog voda MP

FI RL GEH Kućište za filter povratnog voda