

FI SP R 1

Spin-On filter povratnog voda tipa 1

HANSA FLEX

Osobine

Verzija sa bajpas ventilom 1,75 bar

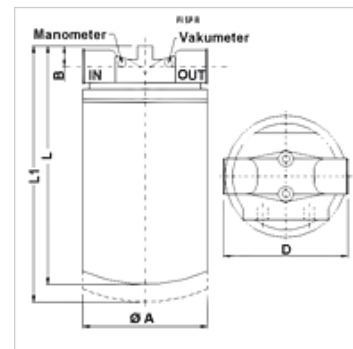
Temperatura min. -25 °C

Temperatura max. 110 °C

Materijal Filter head in aluminum
Zaptivka: NBR

Radni pritisak maks. 12 bara

Filterska jedinica 10 µm



Napomena

For utilization as a suction filter a suction filter head FI SP S FK *** must be used.

Opis

Spin-On filter za ugradnju u cevovodu

Diferencijalni pritisak za papirni (P) elemenat filtera maks. 4 bar

Diferencijalni pritisak za neorganski elemenat filtera (A) maks. 4 bar

Konstruisano (Qmax.) za medijum u skladu sa standardom ISO VG 46 pri 50°C (30 mm²/s) na Δp_{ges} = 0,4 bar

Napomene u vezi porudžbine

ostali materijali za filtriranje kao i filteri za ostale vrste ulja, viskoziteta ili temperatura mogu se isporučiti na zahtev

Artikal

Naziv	Površina filtera (cm ²)	Filter material	Priključak voda	Q max. (L/min)	B (mm)	D (mm)	Ø A (mm)	L (mm)	L1 (mm)	Težina (kg)
FI SP R 48 A10 V G3/4	1900	neorganski	G 3/4"	48	22	95	96,0	180,0	200,0	1,0
FI SP R 55 P10 V G3/4	2240	organic	G 3/4"	55	22	95	96,0	180,0	200,0	1,0
FI SP R 53 A10 V G3/4	3160	neorganski	G 3/4"	53	22	95	96,0	248,0	268,0	1,3
FI SP R 58 P10 V G3/4	4140	organic	G 3/4"	58	22	95	96,0	248,0	268,0	1,3
FI SP R 110 A10 V G1 1/4	3950	neorganski	G 1.1/4"	110	30	133	129,0	241,0	266,0	2,2
FI SP R 130 P10 V G1 1/4	4300	organic	G 1.1/4"	130	30	133	129,0	241,0	266,0	2,2
FI SP R 115 A10 V G1 1/4	5390	neorganski	G 1.1/4"	115	30	133	129,0	286,0	311,0	2,3
FI SP R 150 P10 V G1 1/4	5760	organic	G 1.1/4"	150	30	133	129,0	286,0	311,0	2,3

Qmax - maks. volumen protoka

Pribor

HK VA MAN Clogging indicator pressure gauge

Rezervni delovi

FI SP E MP Elemenat filtera za Spin-On filter MP

FI SP R/S FK Glava filtera za Spin-On filter povratnog voda / usisni filter