

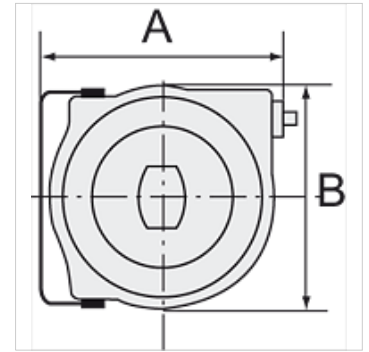
K-SCHL-AUFROLLER LU WA L

Hose reels for compressed air and water, lightweight type

HANSA FLEX

Osobine

Materijal creva	PVC
Radni pritisak	max. 12 bar (K-07100622); max. 20 bar (K-07100623)
Radna temperatura	max. +60 °C
Ulazni nastavci	G 1/4
Obrtni ugao	180°



Napomena

Ostali podaci na upit.

Opis

High-quality, impact-resistant polypropylene housing. An automatic latching mechanism allows the hose to be engaged at any length. Enclosed spring. Precise locking device for continuous feeding or stop function. Reel guide prevents excessive wear on the hose.

Artikal

Naziv	Mera creva	A (mm)	B (mm)	Dužina creva (m)
K- 07 10 06 22	12 mm x 8 mm	340,0	311,0	8
K- 07 10 06 23	12 mm x 6 mm	445,0	400,0	15