

K-SCHL-AUFROLLER LUFT H

Hose reels for compressed air, high flow capacity

HANSA FLEX

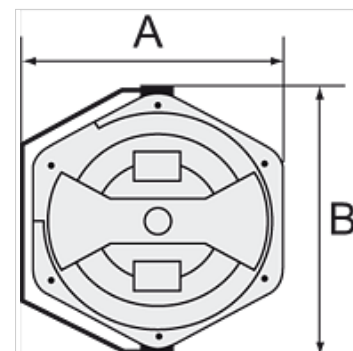
Osobine

Materijal creva Braided polyurethane

Radni pritisak maks. 12 bara

Radna temperatura -20 °C to +60 °C

Obrtni ugao 300°



Napomena

Ostali podaci na upit.

Opis

Specially designed to ensure a high flow capacity. Easy mounting on the wall or ceiling. Closed, rugged, impact-resistant housing made of POM, supply/outlet R 1/4 male thread and lightweight, hard-wearing, oil-resistant polyurethane hose. Incl. 2 m feeder hose.

Artikal

Naziv	Mera creva	A (mm)	B (mm)	Dužina creva (m)
K- 07 10 06 14	16 mm x 11 mm	394,5	436,0	10