

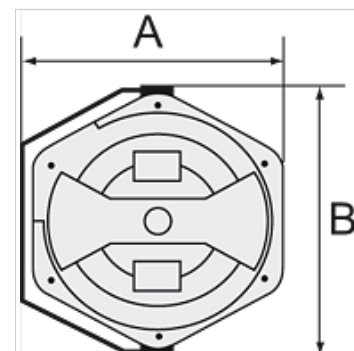
K-SCHL-AUFROLLER WASSER

Hose reels for water

HANSA FLEX

Osobine

| | |
|-------------------|-----------------|
| Materijal creva | Braided PVC |
| Radni pritisak | Max. 9 bar |
| Radna temperatura | +5 °C to +60 °C |
| Obrtni ugao | 300° |



Napomena

Ostali podaci na upit.

Opis

For easy mounting on the wall or ceiling. Closed, rugged, impact-resistant housing made of POM, supply/outlet R 1/4 male thread and lightweight, hard-wearing, braided PVC hose. Incl. 2 m feeder hose.

Artikal

| Naziv | Mera creva | A (mm) | B (mm) | Dužina creva (m) |
|----------------|----------------|-----------|-----------|---------------------|
| K- 07 10 06 17 | 13 mm x 9,5 mm | 394,5 | 436,0 | 14 |