

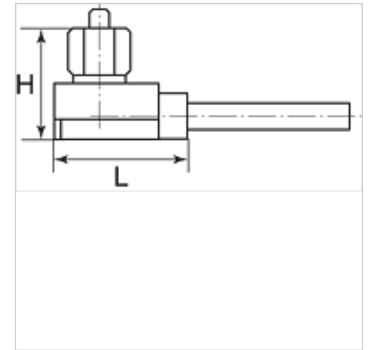
K-VAKUUMSENSOR ANALOG

Vacuum sensor, analogue

HANSA FLEX

Osobine

Primena	Measurement of vacuum values close to the suction pad Remote evaluation of the signals Processing the output signals, for example, by PLC
Mediji	dry, oil-free air and non-aggressive gases
Temperaturni opseg	0 - 50 °C
Izlazni signal	1 to 5 analogous to V
Histereza	Fixed: 20 mbar (model with digital sensor)
Dužina kabla	3 m
Vrsta zaštite	IP 40



Napomena

Ostali podaci na upit.

Opis

Mini-sensor with housing and connection cable, analogue or digital output signal. Minimum size and low weight combined with high measuring accuracy.

Artikal

Naziv	Priključak	H (mm)	L (mm)	Merni opseg	Napon
K- 07 45 01 56	M 5 male	16,9	21,0	-1 bis 0 bar	10 - 24 V DC