

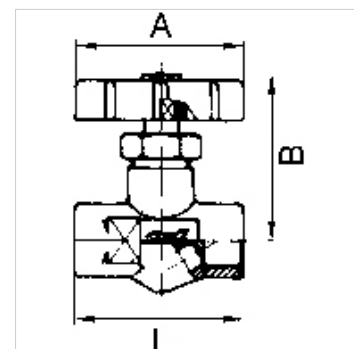
K-ABSPV AG

Globe valves

HANSA FLEX

Osobine

| | |
|----------------|---|
| Radni pritisak | Max. 40 bar |
| Opis navoja | With inside cone for ball-type hose fitting |
| Kućište | Brass |
| Ručni točak | Plastic |
| Vreteno | With stainless steel ball |



Napomena

Ostali podaci na upit.

Artikal

| Naziv | DN | Navoj | A (mm) | B (mm) | L (mm) | SW (mm) |
|----------------|----|-------|-----------|-----------|-----------|------------|
| K- 07 30 03 52 | 6 | G 1/4 | 48,0 | 50,0 | 42,0 | 17 |
| K- 07 30 03 53 | 8 | G 3/8 | 48,0 | 55,0 | 52,0 | 22 |
| K- 07 30 03 54 | 11 | G 1/2 | 48,0 | 65,0 | 67,0 | 27 |