

# K-HAND-SCHIEBEVENTIL

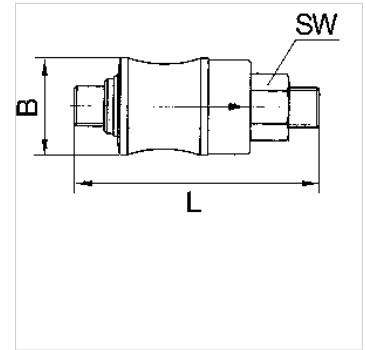
Manual slide valves

**HANSA FLEX**

## Osobine

Radni pritisak maks. 10 bara

Radna temperatura max. +70 °C



## Napomena

Ostali podaci na upit.

## Opis

For use on devices that have to be vented whenever they are turned off, either because of safety regulations or for technical reasons. The pneumatic devices are disconnected from the system and simultaneously vented each time they are shut off.

## Artikal

Naziv	Navoj	B (mm)	L (mm)	SW (mm)
K- 07 30 15 92	G 1/8	21,0	67,0	14
K- 07 30 15 93	G 1/4	24,0	77,0	17
K- 07 30 15 94	G 3/8	31,0	87,0	22
K- 07 30 15 95	G 1/2	35,0	104,0	26