

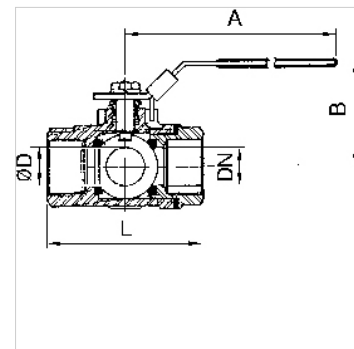
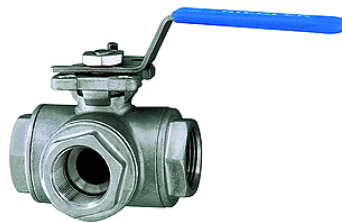
# K-3 BKR L VA

## 3-way ball valves, L-bore

**HANSA FLEX**

### Osobine

Radni pritisak	max. 63 bar
Radna temperatura	max. 160 °C
Otvor	L oblik
Referentne vrednosti	Up to 40 °C: 63 bar, 150 °C: 28 bar
Zaptivka	RTFE
Ručna poluga	Stainless steel
Kuglični ventil	Stainless steel 1.4408



### Napomena

G thread acc. to DIN EN ISO 228-1, with ISO flange plate (acc. to ISO 5211)  
Ostali podaci na upit.

### Opis

With L-bore, reduced bore. Version for sealing on all sides with integrated ISO flange plate (ISO 5211). The lever can be turned 360° to allow several switching variants.

### Napomene u vezi porudžbine

For use on devices that have to be vented whenever they are turned off, either because of safety regulations or for technical reasons. The pneumatic devices are disconnected from the system and simultaneously vented each time they are shut off.

### Dodatne informacije

G thread acc. DIN EN ISO 228-1

### Artikal

Naziv	DN	Navoj	A (mm)	B (mm)	L (mm)	Ø D (mm)
K- 07 30 15 02	8	G 1/4	114,0	73,0	80,0	11,0
K- 07 30 15 03	10	G 3/8	114,0	73,0	80,0	11,0
K- 07 30 15 04	15	G 1/2	114,0	73,0	80,0	12,5
K- 07 30 15 05	20	G 3/4	133,0	78,0	87,0	16,0
K- 07 30 15 06	25	G 1	133,0	83,0	100,0	20,0
K- 07 30 15 07	32	G 1 1/4	187,0	92,0	123,0	25,0
K- 07 30 15 08	40	G 1 1/2	187,0	98,0	142,0	31,8
K- 07 30 15 09	50	G 2	187,0	126,0	170,0	38,1