

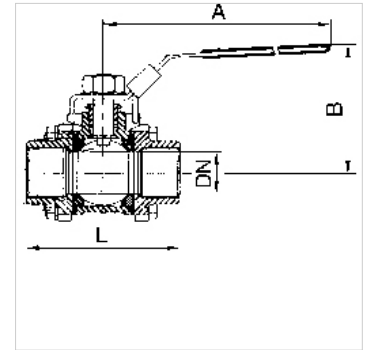
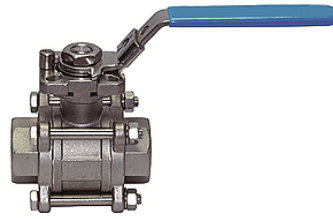
K-BKR GEWINDEAUSLAUF VA

Ball valves

HANSA FLEX

Osobine

Radni pritisak	max. 70 bar (depending on temperature and nominal size)
1.1/4" to 1.1/2"	20 °C: 70 bar, 60 °C: 55 bar, 100 °C: 35 bar, 150 °C: 6 bar, 180 °C: 4 bar, 200 °C: 0 bar
1/4" bis 1"	20 °C: 70 bar, 60 °C: 65 bar, 100 °C: 45 bar, 150 °C: 7 bar, 180 °C: 4 bar, 200 °C: 0 bar
2"	20 °C: 60 bar, 60 °C: 40 bar, 100 °C: 30 bar, 150 °C: 5 bar, 180 °C: 4 bar, 200 °C: 0 bar
Radna temperatura	200 °C at 0 bar
Zaptivka	15 % RPTFE (glass fibre reinforced PTFE)
Ručna poluga	Stainless steel 1.4301



Napomena

G thread acc. to DIN EN ISO 228-1, with ISO flange plate (acc. to ISO 5211)
Ostali podaci na upit.

Napomene u vezi porudžbine

For use on devices that have to be vented whenever they are turned off, either because of safety regulations or for technical reasons. The pneumatic devices are disconnected from the system and simultaneously vented each time they are shut off.

Dodatne informacije

G thread acc. to DIN EN ISO 228-1, with ISO flange plate (acc. to ISO 5211)

Artikal

Naziv	DN	Navoj	A (mm)	B (mm)	L (mm)	Materijal
K- 07 30 14 86	8	G 1/4	123,0	74,0	63,0	Stainless steel 1.4401/1.4408
K- 07 30 14 87	10	G 3/8	123,0	74,0	63,0	Stainless steel 1.4401/1.4408
K- 07 30 14 88	15	G 1/2	123,0	74,0	63,0	Stainless steel 1.4401/1.4408
K- 07 30 14 89	20	G 3/4	123,0	78,0	73,0	Stainless steel 1.4401/1.4408
K- 07 30 14 90	25	G 1	153,0	89,0	85,0	Stainless steel 1.4401/1.4408
K- 07 30 14 91	32	G 1 1/4	153,0	94,0	96,0	Stainless steel 1.4401/1.4408
K- 07 30 14 92	40	G 1 1/2	183,0	110,0	114,0	Stainless steel 1.4401/1.4408
K- 07 30 14 93	50	G 2	183,0	118,0	134,0	Stainless steel 1.4401/1.4408