

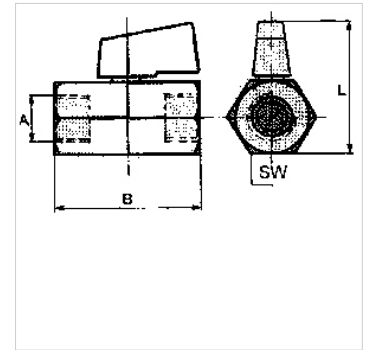
K-BKR MINI GLATTE OBERFLAECHE

Mini ball valves

HANSA FLEX

Osobine

Oblast primene	Compressed air, water, oils, non-toxic gases
Radni pritisak	maks. 10 bara
Temperatura medija	-10 °C to +80 °C
Kućište i kugla	Nickel-plated brass
Ručna poluga, obrtna ručica	Plastic
Zaptivka kugle	PTFE
Zaptivka vretena	NBR



Napomena

Ostali podaci na upit.

Artikal

Naziv	Navoj	B (mm)	L (mm)	SW (mm)
K- 07 30 20 86	G 1/8 female	39,0	38,0	20
K- 07 30 20 87	G 1/4 female	39,0	38,0	20
K- 07 30 20 88	G 3/8 female	42,0	38,0	20
K- 07 30 20 89	G 1/2 female	47,0	38,0	24
K- 07 30 20 82	G 1/8 female/male	39,0	38,0	20
K- 07 30 20 83	G 1/4 female/male	39,0	38,0	20
K- 07 30 20 84	G 3/8 female / male	40,0	38,0	20
K- 07 30 20 85	G 1/2 female/male	45,0	38,0	24