

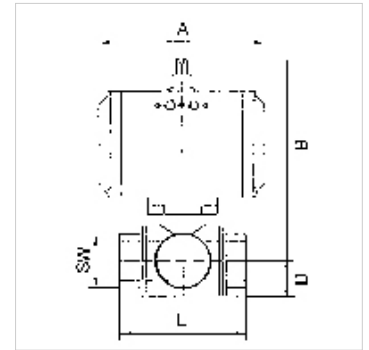
K-BKR STAN DOP VA

Stainless steel ball valves, double-acting actuator

HANSA FLEX

Osobine

Konstrukcija	Pneumatic actuators, in double- or single acting version, with integrated end-position feedback
Radni pritisak	max. 63 bar (depending on temperature and nominal size)
Radna temperatura	-20 °C to +70°C
Ugao obrtanja	90 °
Standardizovani međusklopovi	Interface actuator / valve: four or eight threaded holes in the drive housing according to EN ISO 5211, Interface actuator / S
Upravljački pritisak	5.5 bar
Adapter ventila	Acc. to NAMUR
Pogon	aluminium eloxed
Zaptivka pogona	NBR
Kuglični ventil	Stainless steel 1.4401, with ISO-flange plate
Zaptivka kugličnog ventila	PTFE



Napomena

Ostali podaci na upit.

Opis

2-way cock, 3-piece, full bore

Artikal

Naziv	DN	Navoj	A (mm)	B (mm)	D (mm)	L (mm)	SW (mm)
K- 07 30 02 42	15	Rp 1/2	133,0	144,0	24,0	75,0	29
K- 07 30 02 43	15	Rp 1/2	116,0	135,0	24,0	75,0	29
K- 07 30 02 44	20	Rp 3/4	133,0	148,0	27,0	80,0	35
K- 07 30 02 45	20	Rp 3/4	116,0	139,0	27,0	80,0	35
K- 07 30 02 46	25	Rp 1	133,0	157,0	30,0	90,0	41
K- 07 30 02 47	32	Rp 1 1/4	137,0	176,0	37,0	110,0	50
K- 07 30 02 48	40	Rp 1 1/2	137,0	186,0	40,0	120,0	58
K- 07 30 02 49	50	Rp 2	161,0	207,0	50,0	140,0	74
K- 07 30 02 50	65	Rp 2 1/2	180,0	238,0	60,0	185,0	89
K- 07 30 02 51	80	Rp 3	209,0	257,0	82,0	205,0	104