

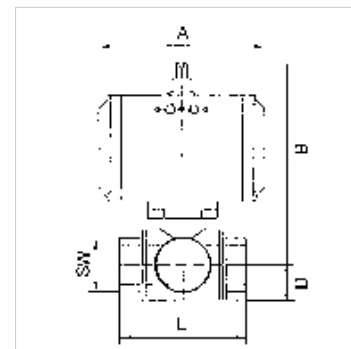
# K-3 BKR STELLANTR E L MS

Brass ball valves, 3-way, with single-acting actuator, L-bore

**HANSA FLEX**

## Osobine

<b>Konstrukcija</b>	Pneumatic actuators, in double- or single acting version, with integrated end-position feedback
<b>Otvor</b>	L oblik
<b>Radna temperatura</b>	-20 °C to +70 °C
<b>Ugao obrtanja</b>	90 °
<b>Upravljački pritisak</b>	5.5 bar
<b>Adapter ventila</b>	Supplied as standard
<b>Pogon</b>	aluminium eloxed
<b>Zaptivka pogona</b>	NBR
<b>Kuglični ventil</b>	Chrome-plated brass, with ISO-flange plate
<b>Zaptivka kugličnog ventila</b>	PTFE/FKM



## Napomena

G thread acc. to DIN EN ISO 228-1, with ISO flange plate (acc. to ISO 5211)

Ostali podaci na upit.

## Opis

3-way cock, L-bore, full bore

## Dodatne informacije

Other T-positions on request

## Artikal

Naziv	DN	Navoj	Položaj	PN (bar)	A (mm)	B (mm)	D (mm)	L (mm)	SW (mm)
K- 07 30 02 90	15	Rp 1/2	L	40	133,0	142,0	20,0	64,5	25
K- 07 30 02 91	25	Rp 1	L	40	133,0	150,5	30,0	97,0	41
K- 07 30 02 92	40	Rp 1 1/2	L	25	180,0	193,5	43,0	135,0	55