

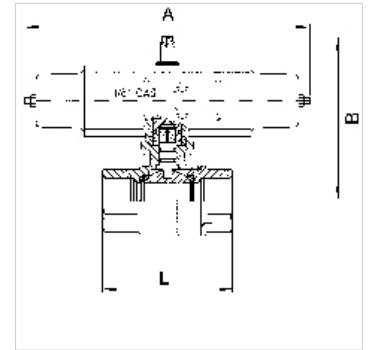
K-BKR ANTR D MS

Brass ball valves, double-acting actuator

HANSA FLEX

Osobine

Konstrukcija	Pneumatic, double-piston, part-turn actuator, double-rocker principle
Radni pritisak	Max. 16 bar
Radna temperatura	-20 °C to +150 °C
Ugao obrtanja	90 °
Upravljački pritisak	5.6 bar
Adapter ventila	Supplied as standard
Temperaturni opseg	-20 °C to +80 °C
Pogon	aluminium eloxed
Zaptivka pogona	NBR
Kuglični ventil	Chrome-plated brass, with ISO-flange plate
Zaptivka kugličnog ventila	PTFE/FKM



Napomena

Ostali podaci na upit.

Artikal

Naziv	DN	Navoj	A (mm)	B (mm)	L (mm)
K- 07 30 02 11	10	Rp 3/8	70,0	87,0	69,0
K- 07 30 02 12	15	Rp 1/2	70,0	87,0	69,0
K- 07 30 02 13	20	Rp 3/4	70,0	94,0	77,0
K- 07 30 02 14	25	Rp 1	70,0	98,0	89,0
K- 07 30 02 15	32	Rp 1 1/4	114,0	123,0	103,0
K- 07 30 02 16	40	Rp 1 1/2	114,0	129,0	114,0
K- 07 30 02 17	50	Rp 2	130,0	145,0	134,0