

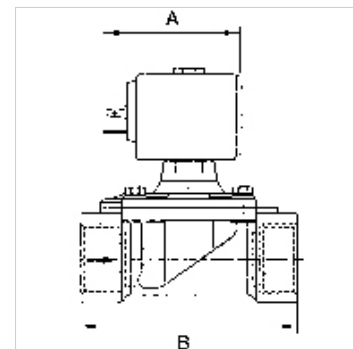
K-MV G Z 24 V DC

Normally closed, combined operation, 24 V DC (direct current)

HANSA FLEX

Osobine

Priključak na električnu mrežu	For connector socket Pg 9/Pg 11, acc. to ISO 4400
Vrsta zaštite	IP65 (with connector socket fitted)
Temperatura medija	-10 °C to +90 °C (NBR); -10 °C bis +140 °C (FKM)
Kućište, sedište ventila	Brass
Unutrašnji delovi	Stainless steel
Zaptivka	Perbunan (NBR) or FKM



Napomena

Ostali podaci na upit.

Opis

Economy series available in three different versions: Directly operated, Combined operation, Pilot-operated. For all applications with compressed air, neutral gases or low-viscosity, neutral media.

Artikal

Naziv	Navoj	maks. radni pritisak (bar)	NW	Zaptivni materijal	A (mm)	B (mm)	Konstrukcija
K- 07 30 23 55	G 3/8	14	11,0	NBR/PA	67,0	56,0	8
K- 07 30 23 56	G 1/2	14	16,0	NBR/PA	67,0	70,0	8
K- 07 30 23 57	G 3/4	14	16,0	NBR/PA	67,0	70,0	8
K- 07 30 23 58	G 1	6	25,0	NBR/PA	67,0	104,0	8