

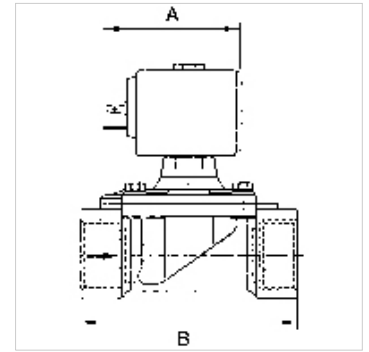
K-MV O D 230 V, 50 - 60 HZ

Normally open, directly operated, 230 V, 50 to 60 Hz

HANSA FLEX

Osobine

Priključak na električnu mrežu	For connector socket Pg 9/Pg 11, acc. to ISO 4400
Vrsta zaštite	IP65 (with connector socket fitted)
Temperatura medija	-10 °C to +90 °C (NBR); -10 °C bis +140 °C (FKM)
Kućište, sedište ventila	Brass
Unutrašnji delovi	Stainless steel
Zaptivka	Perbunan (NBR) or FKM



Napomena

Ostali podaci na upit.

Opis

Economy series available in three different versions: Directly operated, Combined operation, Pilot-operated. For all applications with compressed air, neutral gases or low-viscosity, neutral media.

Artikal

Naziv	Navoj	maks. radni pritisak (bar)	NW	Zaptivni materijal	A (mm)	B (mm)	Konstrukcija
K- 07 30 23 66	G 1/8	20	2,0	FKM	54,0	40,0	2
K- 07 30 23 67	G 1/8	14	2,5	FKM	54,0	40,0	2
K- 07 30 23 68	G 1/4	10	3,0	FKM	54,0	40,0	2
K- 07 30 23 69	G 1/4	4	4,5	FKM	54,0	40,0	2