

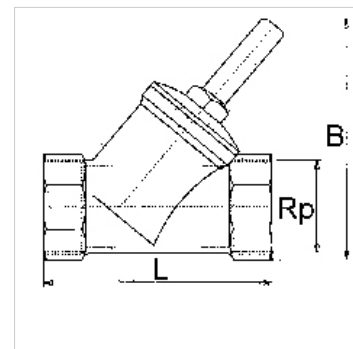
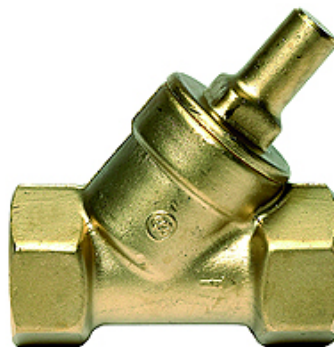
# K-RD SCHRAEGSITZ MS

Unidirectional valves

**HANSA FLEX**

## Osobine

Radni pritisak	maks. 10 bara
Opis navoja	Rp thread acc. to DIN 2999
Temperatura medija	max. +80 °C
Pritisak otvaranja	min. 0.5 bar
Temperatura okoline	Max. +80 °C
Zaptivni materijal	NBR
Kućište	Brass



## Napomena

Ostali podaci na upit.

## Artikal

Naziv	Navoj	B (mm)	L (mm)	SW (mm)
K- 07 30 24 75	Rp 3/8	50,0	55,0	27
K- 07 30 24 76	Rp 1/2	50,0	59,0	27
K- 07 30 24 77	Rp 3/4	60,0	67,0	32
K- 07 30 24 78	Rp 1	71,0	83,0	38
K- 07 30 24 79	Rp 1 1/4	97,0	96,0	48
K- 07 30 24 80	Rp 1 1/2	114,0	106,0	54
K- 07 30 24 81	Rp 2	135,0	130,0	68