

K-SCHALLDAE SINTERBR IG

Silencers, sintered bronze, flat type with female thread

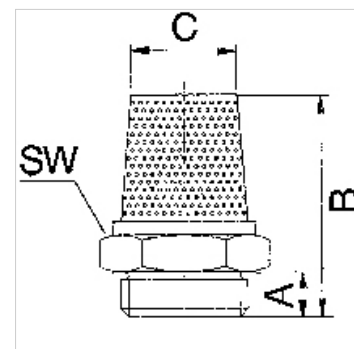
HANSA FLEX

Osobine

Radni pritisak maks. 10 bara

Radna temperatura -10 °C to +250 °C

Norma G thread acc. to DIN EN ISO 228-1



Napomena

Ostali podaci na upit.

Opis

For reducing the exhaust noise generated by pneumatic equipment.

Artikal

| Naziv | Navoj | B (mm) | C (mm) | SW |
|----------------|-------|-----------|-----------|-------|
| K- 07 40 34 98 | M 5 | 8,0 | 5,0 | 8 mm |
| K- 07 40 34 99 | G 1/8 | 10,0 | 9,0 | 13 mm |
| K- 07 40 35 00 | G 1/4 | 11,0 | 11,0 | 16 mm |
| K- 07 40 35 01 | G 3/8 | 12,0 | 15,0 | 19 mm |
| K- 07 40 35 02 | G 1/2 | 13,0 | 20,0 | 24 mm |
| K- 07 40 46 88 | G 3/4 | 18,0 | 28,0 | 32 mm |
| K- 07 40 46 89 | G 1 | 22,0 | 37,0 | 41 mm |