

K-SCHALLDAE SINTERBR AG 560

Silencers, sintered bronze, flat type with male thread, 560 Series

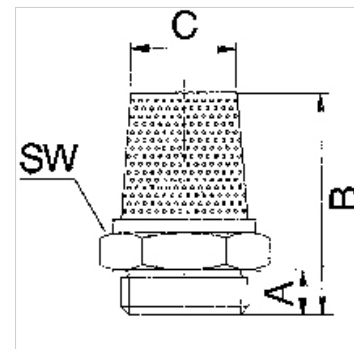
HANSA FLEX

Osobine

Radni pritisak maks. 10 bara

Radna temperatura -10 °C to +250 °C

Norma G thread acc. to DIN EN ISO 228-1



Napomena

Ostali podaci na upit.

Opis

For reducing the exhaust noise generated by pneumatic equipment.

Artikal

Naziv	Navoj	B (mm)	C (mm)
K- 07 40 34 87	G 1/8	6,0	6,0
K- 07 40 34 88	G 1/4	6,0	8,0
K- 07 40 34 89	G 3/8	6,5	10,0
K- 07 40 34 90	G 1/2	8,0	12,0
K- 07 40 34 91	G 3/4	10,5	20,0
K- 07 40 34 92	G 1	9,5	26,0