

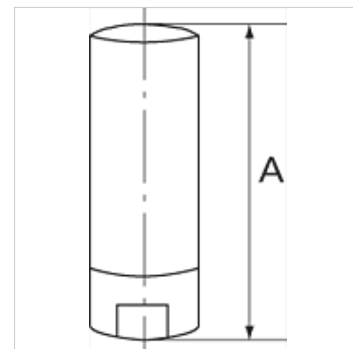
K-INLINE-DRG IG M SEKUNDAERENTLUEFT

Inline pressure regulators, 2 x female thread, self-relieving

HANSA FLEX

Osobine

Radni pritisak	Max. 25 bar
Temperaturni opseg	0 °C to +80 °C
Kućište	Aluminium
ostali delovi	Stainless steel, nitrile rubber, brass



Napomena

Ostali podaci na upit.

Opis

The majority of pneumatic tools are connected directly to the compressed air supply by means of a quick disconnect coupling, in other words they tend to be supplied with a higher pressure than is actually required. Which increases consumption and leads to tool overload. Added safety is provided by the automatic self-relieving function. If the tool is disconnected from the hose, it continues to work for a short period, even though it has been switched off, owing to the residual pressure that is present on the tool side.
Inadvertent operation of the tool can thus lead to serious injuries to the user (tackers or nail drivers can fire up to another ten shots).
This effect can be prevented by using the inline pressure regulators, which have a preset pressure determined by the application, thereby achieving energy efficiency and economy.

Artikal

Naziv	Navoj	Unapred podešeni radni pritisak	Protok	A (mm)	SW (mm)
K- 07 25 02 83	G 1/4	2 bar	600 - 800 l/min	56,6	16
K- 07 25 02 84	G 1/4	3 bar	600 - 800 l/min	56,6	16
K- 07 25 02 85	G 1/4	4 bar	600 - 800 l/min	56,6	16
K- 07 25 02 86	G 1/4	5 bar	600 - 800 l/min	56,6	16
K- 07 25 02 87	G 1/4	6 bar	600 - 800 l/min	56,6	16
K- 07 25 02 88	G 1/4	8 bar	600 - 800 l/min	56,6	16
K- 07 25 02 89	G 3/8	2 bar	2000 l/min	63,0	22
K- 07 25 02 90	G 3/8	4 bar	2000 l/min	63,0	22
K- 07 25 02 91	G 3/8	6 bar	2000 l/min	63,0	22
K- 07 25 02 92	G 3/8	8 bar	2000 l/min	63,0	22
K- 07 25 02 93	G 1/2	2 bar	3000 l/min	67,5	27
K- 07 25 02 94	G 1/2	4 bar	3000 l/min	67,5	27
K- 07 25 02 95	G 1/2	6 bar	3000 l/min	67,5	27
K- 07 25 02 96	G 1/2	8 bar	3000 l/min	67,5	27