

K-VT 2-FACH MS NI

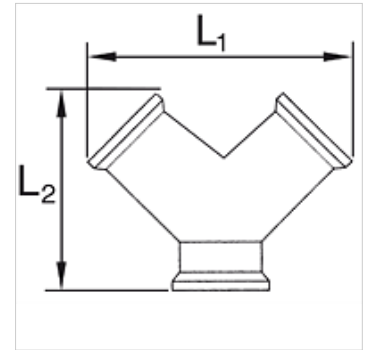
Distributors, 2 outlets, nickel-plated brass

HANSA FLEX

Osobine

Radni pritisak maks. 10 bara

Materijal Mesing, niklovan



Napomena

Ostali podaci na upit.

Artikal

| Naziv | Navoj | Outlets | L1 (mm) | L2 (mm) |
|----------------|--------------|------------|------------|------------|
| K- 07 40 40 14 | G 1/8 male | 2 x female | 29,0 | 32,0 |
| K- 07 40 40 15 | G 1/4 male | 2 x female | 36,0 | 38,0 |
| K- 07 40 45 63 | G 3/8 male | 2 x female | 41,0 | 42,5 |
| K- 07 40 45 62 | G 1/2 male | 2 x female | 53,0 | 53,0 |
| K- 07 40 45 66 | G 1/8 female | 2 x female | 29,0 | 26,5 |
| K- 07 40 40 82 | G 1/4 female | 2 x female | 36,0 | 32,0 |
| K- 07 40 40 85 | G 3/8 female | 2 x female | 41,0 | 37,0 |
| K- 07 40 40 86 | G 1/2 female | 2 x female | 53,0 | 45,0 |