

# K-EINSCHRAUBVERTEILER

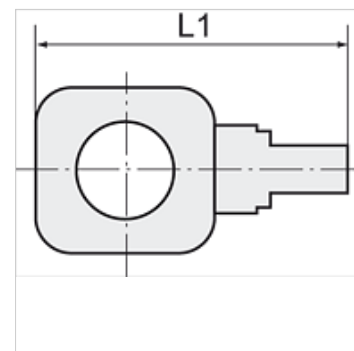
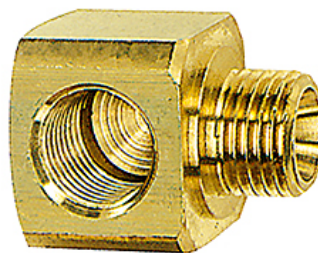
Male L-distributors

**HANSA FLEX**

## Osobine

Radni pritisak maks. 10 bara

Materijal Mesing



## Napomena

Ostali podaci na upit.

## Artikal

Naziv	Navoj	L1 (mm)	SW
K- 07 40 14 63	M 5	13,0	9 mm
K- 07 40 14 64	G 1/8	23,0	17 mm
K- 07 40 14 65	G 1/4	29,0	22 mm
K- 07 40 14 66	G 3/8	32,0	27 mm