

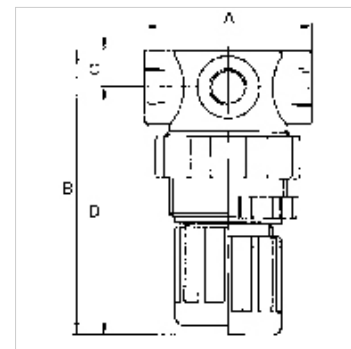
K-DBV MANO 1/4"

Pressure limiting valves size 1/4

HANSA FLEX

Osobine

Konstrukcija	Spring-loaded, non-return diaphragm valve with adjustable opening pressure
Temperatura medija	max. 60 °C
Temperatura okoline	Max. 60 °C
Zaptivni materijal	NBR
Poklopac opruge	POM/brass
Kućište	Die-cast zinc, painted silver
Membrana	NBR



Napomena

Ostali podaci na upit.

Opis

Manually adjustable overflow valves. For protecting pneumatic systems against damage caused by excess pressure.

Artikal

Naziv	Navoj	Opseg regulacije	A (mm)	B	C (mm)	D (mm)
K- 07 25 01 93	G 1/4	0.1 - 2.0 bar	43,0	70,0 mm	10,0	60,0
K- 07 25 01 94	G 1/4	0.1 - 3.0 bar	43,0	70,0 mm	10,0	60,0
K- 07 25 01 95	G 1/4	0.15 - 7.0 bar	43,0	70,0 mm	10,0	60,0
K- 07 25 01 96	G 1/4	0.5 - 10.0 bar	43,0	70,0 mm	10,0	60,0

Rezervni delovi

K-HALTERBAUSATZ	Holder
K-SCHALTAFELMUTTER	Nut
K-VERSCHLEI-SATZ	Set of wearing parts
K-SCHALLDAE SINTERBR AG 569	Silencers, sintered bronze, flat type with male thread, 569 Series
K-GERAETESTECKER	Coupling socket