

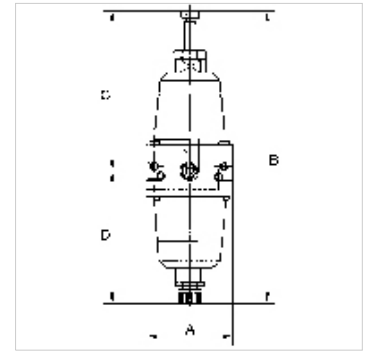
# K-PRAEZIONSFILTERREGLER

Precision filter regulators

**HANSA FLEX**

## Osobine

Ulazni pritisak	Max. 16 bar
Temperatura medija	max. 60 °C
Temperatura okoline	Max. 60 °C
Mediji	Micro-filtered, unoiled compressed air (0.01 µm)
Priključak manometra	G 1/4
Širina pora u elementu filtera	10 µm
Zaptivni materijal	NBR
Kućište	Die-cast zinc
Sopstvena potrošnja vazduha	0.01 l/min, depending on input pressure and control range



## Napomena

The given flow rates are based on the following parameters: 750 l/min: P1: 8 bar, P2: 2 bar,  $\Delta p \leq 0.2$  bar

750 l/min: P1: 8 bar, P2: 3 bar,  $\Delta p \leq 0.5$  bar

750 l/min: P1: 8 bar, P2: 5 bar,  $\Delta p \leq 0.7$  bar

Ostali podaci na upit.

## Opis

Diaphragm pressure regulators containing no non-ferrous metals, with selfrelieving design, combined with a centrifugal separator for applications requiring an extremely accurate working pressure.

## Dodatne informacije

1500 l/min: P1: 10 bar, P2: 7 bar,  $\Delta p \leq 0.1$  bar.

## Artikal

Naziv	Navoj	Opseg regulacije	Protok (L/min)	A (mm)	B	C (mm)	D (mm)
K- 07 25 09 86	G 1/4	0.1 - 2 bar	750	60,0	216,0 mm	120,0	96,0
K- 07 25 09 87	G 1/4	0.1 - 3 bar	750	60,0	216,0 mm	120,0	96,0
K- 07 25 09 88	G 1/4	0.2 - 5 bar	750	60,0	216,0 mm	120,0	96,0

## Rezervni delovi

K-HALTERBAUSATZ STANDARD	Holder
K-VERSCHLEI-SATZ	Set of wearing parts