

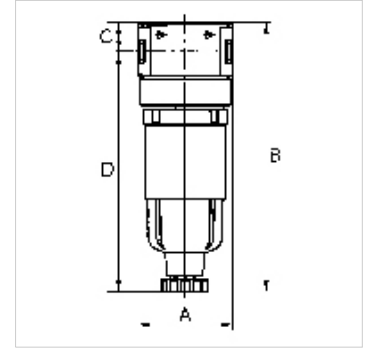
K-VORFI PC-BEHÄLTER MULTIFIX MINI

Pre-filters with polycarbonate bowl

HANSA FLEX

Osobine

Ulazni pritisak	Max. 16 bar
Temperatura medija	max. 60 °C
Temperatura okoline	Max. 60 °C
Filterska jedinica	0,30 µm
Stepen dejstva	99.999 %
Zaptivni materijal	NBR
Uložak filtera	Paper-POM
Kućište	Die-cast zinc
Drain valve	Semi-automatic
Merenje vrednosti protoka	FV at P1 = 6 bar and pressure drop $\Delta p = 0.02$ bar



Napomena

If several devices in the »multifix-mini« Series are assembled together, the maximum working pressure is 12 bar.

Ostali podaci na upit.

Opis

Micro-filters for compliance with strict compressed air purity requirements. Suitable for all applications where standard filters do not afford the desired efficiency.

Artikal

Naziv	Navoj	Protok (L/min)	A (mm)	B	C (mm)	D (mm)	DN
K- 07 25 10 64	G 1/8	130	40,0	114,8 mm	12,3	102,5	5
K- 07 25 10 66	G 1/4	160	40,0	138,1 mm	12,3	125,8	5

Rezervni delovi

K-AUTOMAT ABLASSVENTIL	Automatic drain valve
K-KOPPELPAKET MEHR	Coupling packet