

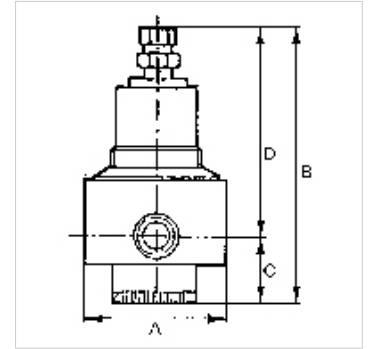
K-DRG FL RUECKSTERERBAR M MANO VA

Non-reversible, stainless steel pressure regulators for liquid media,
stainless steel pressure gauge

HANSA FLEX

Osobine

Ulazni pritisak	Max. 30 bar (Control range 0.5 - 8.0 bar), Max. 50 bar (Control range 1.0 - 15.0 bar)
Temperatura medija	max. 80 °C
Temperatura okoline	Max. 80 °C
Zaptivni materijal	FKM
Membrana	PTFE on NBR base
Materijal	stainless steel 1.4404 (AISI 316L)
Merenje vrednosti protoka	At P1 = 8 bar, P2 = 6 bar and pressure drop $\Delta p \leq 1$ bar



Napomena

Ostali podaci na upit.

Opis

Stainless steel regulators containing no non-ferrous metals for use in the food processing, chemical, mining, plant construction and special machinery industries as well as in the medical technology.

Napomene u vezi porudžbine

NPT thread available on request

Artikal

Naziv	Navoj	Opseg regulacije	Protok (L/min)	A (mm)	B	C (mm)	D (mm)
K- 07 25 02 10	G 1/4	0.5 - 8.0 bar	200	65,0	162,0 mm	37,0	125,0
K- 07 25 02 11	G 1/4	1.0 - 15.0 bar	330	65,0	162,0 mm	37,0	125,0
K- 07 25 02 08	G 1/2	0.5 - 8.0 bar	660	80,0	164,0 mm	37,0	127,0
K- 07 25 02 09	G 1/2	1.0 - 15.0 bar	1800	80,0	164,0 mm	37,0	127,0

Rezervni delovi

K-HALTERBAUSATZ EDELSTAHL	Holder
K-MANO	Pressure gauges (CrNi steel type / connection on rear)
K-VERSCHLEI-SATZ	Set of wearing parts