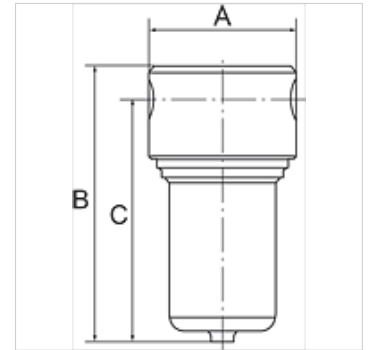


# K-FI VA

## Filters

### Osobine

Ulazni pritisak	Max. 50 bar
Temperatura medija	max. 80 °C
Temperatura okoline	Max. 80 °C
Širina pora u elementu filtera	50 µm
Zapivni materijal	FKM
Materijal	stainless steel 1.4404 (AISI 316L)
Drain valve	Locking screw
Merenje vrednosti protoka	At P1 = 6 bar and pressure drop $\Delta p \leq 0.6$ bar



### Napomena

Ostali podaci na upit.

### Opis

Stainless steel filters containing no non-ferrous metals for use in the food processing, chemical, mining, plant construction and special machinery industries as well as in the medical technology.

### Napomene u vezi porudžbine

Important: This is not a sterile filter! With filter element 5 µm available on request. With manual or fully automatic drain valve on request. With NPT threads available on request.

### Artikal

Naziv	Navoj	Protok (L/min)	A (mm)	B	C (mm)
K- 07 25 05 59	G 1/4	2500	64,0	139,0 mm	125,0
K- 07 25 05 58	G 1/2	3400	80,0	150,0 mm	130,0

### Pribor

K-HALTERBAUSATZ Holder

### Rezervni delovi

K-VERSCHLEI-SATZ Set of wearing parts