

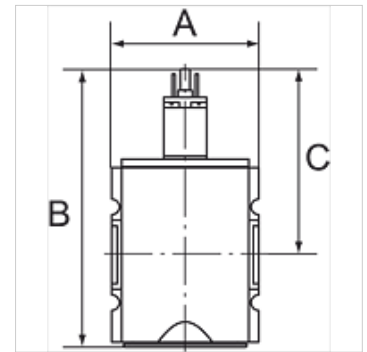
K-WV 3/2 ELK 230 VAC / 50HZ HANSA

3/2-way valves, electrically operated, with 230 VAC / 50 Hz solenoid

HANSA FLEX

Osobine

Ulazni pritisak	2 - 10 bar
Temperaturni opseg	-10 °C to +50 °C
Mediji	Komprimovani vazduh
Kapacitet privlačenja naizmeničnog napona 50Hz	2,2 VA
Radni ciklus	ED 100 %
Priključak na električnu mrežu	Connector type C, ISO 15217, 2 poles +PE
Kapacitet držanja naizmeničnog napona 50Hz	1,6 VA
Apsorbovana snaga DC	2,5 W
Vrsta zaštite	IP 65
Priključni navoj	Material: Die-cast zinc
Kućiče	Material: Grivory® (PA 66)
Merenje vrednosti protoka	At P2 = 6 bar, pressure drop $\Delta p = 1$ bar



Napomena

Ostali podaci na upit.

Opis

Pneumatic systems or parts of systems can be switched on and off by means of an electrical signal. When they are switched off, the system is exhausted at the same time.

Napomene u vezi porudžbine

Valves are also available with coil 110 V AC, 50 Hz and in a pneumatically operated version. Please ask for more information.

Artikal

Naziv	Navoj	Oticanje	Protok (L/min)	A (mm)	B	C (mm)
K- 07 25 11 09	G 1/4	1/4	2000	52,0	117,8 mm	84,8
K- 07 25 11 10	G 3/8	1/4	2000	52,0	117,8 mm	84,8
K- 07 25 11 35	G 3/8	1/2	4500	63,0	150,3 mm	93,8
K- 07 25 11 36	G 1/2	1/2	4500	63,0	150,3 mm	93,8
K- 07 25 11 41	G 3/4	1/2	12500	85,0	177,7 mm	110,7
K- 07 25 11 42	G 1	1/2	12500	85,0	177,7 mm	110,7

Pribor

K-SCHALLDAE SINTERBR S	Silencers, sintered bronze, slotted
K-SCHALLDAE SINTERBR GE MS1	Silencers, sintered bronze, with brass hexagon nut and brass thread

Rezervni delovi

K-HALTERBAUSATZ HANSA	Holder HANSA
K-VORSTEUERVENTIL HANSA	Replacement solenoid HANSA
K-GERAETESTECKER FORM C	Connector