

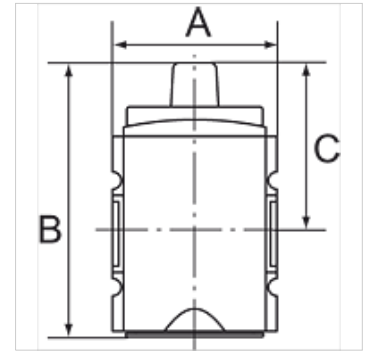
# K-3/2-BKR HANSA

Ball valves

**HANSA FLEX**

## Osobine

Ulazni pritisak	0 - 16 bar
Temperaturni opseg	-10 °C to +50 °C
Mediji	Komprimovani vazduh
Priključni navoj	Material: Die-cast zinc
Kućičšte	Material: Grivory® (PA 66)
Merenje vrednosti protoka	At P2 = 6 bar, pressure drop $\Delta p = 1$ bar



## Napomena

Ostali podaci na upit.

## Opis

Closable ball valve in 3/2-way design, mechanically actuated. Toggle 90° rotatable and with switch position indicator: Traverse: Inlet port blocked - outlet port exhausted

Longitudinal: Inlet port and outlet port connected - exhaust blocked. Exhaust air can be collected.

## Dodatne informacije

The price does not include a padlock. Please order separately.

## Artikal

Naziv	Navoj	Oticanje	Protok (L/min)	A (mm)	B	C (mm)
K- 07 25 11 23	G 1/4	1/4	1900	52,0	87,5 mm	54,5
K- 07 25 11 24	G 3/8	1/4	1900	52,0	87,5 mm	54,5
K- 07 25 11 43	G 3/8	1/2	11000	63,0	127,0 mm	70,5
K- 07 25 11 44	G 1/2	1/2	11000	63,0	127,0 mm	70,5
K- 07 25 11 45	G 3/4	3/4	25000	85,0	144,7 mm	93,7
K- 07 25 11 46	G 1	3/4	25000	85,0	144,7 mm	93,7

## Pribor

K-VORHAENGESCHLOSS Padlock

## Rezervni delovi

K-HALTERBAUSATZ HANSA Holder HANSA