

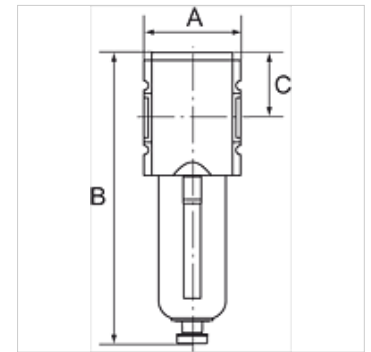
# K-MIKROFI FEINFILTER HANSA

Micro-filters (fine filters)

**HANSA FLEX**

## Osobine

Ulazni pritisak	1.5 - 16 bar
Temperaturni opseg	-10 °C to +50 °C
Mediji	Komprimovani vazduh
Filterska jedinica	0,01 µm
Priključni navoj	Material: Die-cast zinc
Posuda	Polycarbonate (with bayonet lock)
Elementa filtera	Borosilicate glass fibre
Kućište	Material: Grivory® (PA 66)
Zavrtnaj	Polyamide
Odvajanje prašine	Class 1 acc. to DIN ISO 8753-1
Merenje vrednosti protoka	At P2 = 6 bar and pressure drop $\Delta p = 0.5$ bar



## Napomena

Ostali podaci na upit.

## Opis

Micro-filters in modern design for compliance with strict compressed air purity requirements. Micro-filters are used to separate solid oil, water and solid impurities as small as 0.01 µm from compressed air and gases.

## Artikal

Naziv	Navoj	Protok (L/min)	A (mm)	B	C (mm)	Ispust kondenzata
K- 07 25 10 33	G 1/4	350	52,0	169,5 mm	39,5	Semi
K- 07 25 10 34	G 3/8	350	52,0	169,5 mm	39,5	Semi
K- 07 25 10 35	G 3/8	450	63,0	195,0 mm	47,8	Semi
K- 07 25 10 36	G 1/2	450	63,0	195,0 mm	47,8	Semi
K- 07 25 10 19	G 3/4	1500	85,0	255,0 mm	63,0	Semi
K- 07 25 10 20	G 1	1500	85,0	255,0 mm	63,0	Semi
K- 07 25 10 37	G 1/4	350	52,0	186,5 mm	39,5	Auto
K- 07 25 10 38	G 3/8	350	52,0	186,5 mm	39,5	Auto
K- 07 25 10 39	G 3/8	450	63,0	210,5 mm	47,8	Auto
K- 07 25 10 40	G 1/2	450	63,0	210,5 mm	47,8	Auto
K- 07 25 10 21	G 3/4	1500	85,0	269,0 mm	63,0	Auto
K- 07 25 10 22	G 1	1500	85,0	269,0 mm	63,0	Auto

## Rezervni delovi

K-HALTERBAUSATZ HANSA	Holder HANSA
K-ERSATZBEHAELTER HANSA POLY	Spare tank HANSA polycarbonat
K-DIFFERENZDRUCKANZEI MONO	Differential pressure and differential pressure gauge
K-DIFFERENZDRUCKMANOMETER	Differential pressure gauge