

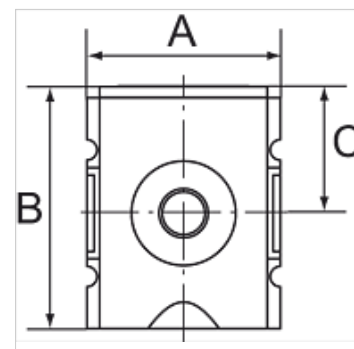
# K-VERTEILER HANSA

Manifolds

**HANSA FLEX**

## Osobine

Ulazni pritisak	0 - 16 bar
Temperaturni opseg	-10 °C to +50 °C
Mediji	Komprimovani vazduh
Priključni navoj	Material: Die-cast zinc
Kućičšte	Material: Grivory® (PA 66)



## Napomena

Ostali podaci na upit.

## Artikal

Naziv	Outlets	Navoj	Protok (L/min)	A (mm)	B	C (mm)
K- 07 25 11 17	3 x G 1/4	G 1/4	2700	52,0	65,5 mm	34,5
K- 07 25 11 18	3 x G 1/4	G 3/8	3600	52,0	65,5 mm	34,5
K- 07 25 11 19	2 x G 3/8, 1 x G 1/4, 1 x G 1/2	G 3/8	7250	63,0	80,5 mm	43,0
K- 07 25 11 20	2 x G 3/8, 1 x G 1/4, 1 x G 1/2	G 1/2	7250	63,0	80,5 mm	43,0
K- 07 25 11 21	2 x G 3/4	G 3/4	18000	85,0	109,5 mm	58,5
K- 07 25 11 22	2 x G 3/4	G 1	18000	85,0	109,5 mm	58,5

## Rezervni delovi

K-HALTERBAUSATZ HANSA	Holder HANSA
K-ERSATZBEHAELTER HANSA POLY	Spare tank HANSA polycarbonat
K-GERAETESTECKER	Coupling socket