

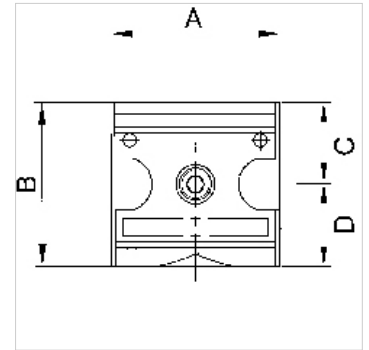
K-RD MULTIFIX

Non-return valves

HANSA FLEX

Osobine

Ulazni pritisak	Max. 16 bar
Temperatura medija	max. 50 °C
Temperatura okoline	Max. 50 °C
Zaptivni materijal	NBR
Kućište	Die-cast zinc
Merenje vrednosti protoka	At P1 = 6 bar and pressure drop $\Delta p = 1$ bar
Pritisak otvaranja	Min. 0.1 bar



Napomena

Ostali podaci na upit.

Opis

Spring-loaded seat valves.

Artikal

Naziv	Navoj	Protok (L/min)	A (mm)	B	C (mm)	D (mm)	Konstrukciona veličina
K- 07 25 11 77	G 1/4	700	47,8	52,0 mm	26,0	26,0	1
K- 07 25 11 78	G 3/8	700	47,8	52,0 mm	26,0	26,0	1
K- 07 25 11 79	G 1/2	6000	68,8	67,0 mm	33,5	33,5	2
K- 07 25 11 80	G 3/4	6000	68,8	67,0 mm	33,5	33,5	2

Rezervni delovi

K-KOPPELPAKET MEHR	Coupling packet
K-KOPPELPAKET SCHMA	Coupling packet