

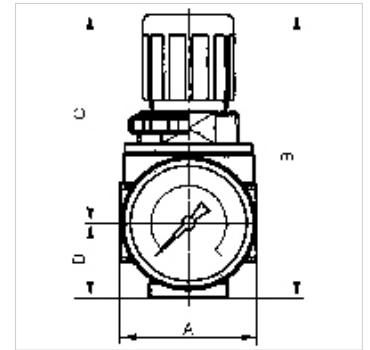
# K-DRG DRVS MULTIFIX MINI

Pressure regulators with pressure supply at both ends

**HANSA FLEX**

## Osobine

Ulazni pritisak	Max. 16 bar
Temperatura medija	max. 60 °C
Temperatura okoline	Max. 60 °C
Zaptivni materijal	NBR
Poklopac opruge	POM-brass
Kućište	Die-cast zinc
Merenje vrednosti protoka	At P1 = 8 bar, P2 = 6 bar and pressure drop $\Delta p = 1$ bar



## Napomena

Ostali podaci na upit.

## Opis

Diaphragm pressure regulators with self-relieving design for mounting side by side. The pressure setting can be locked by pushing the button down.  
<br>By assembling two or more controllers together, it is possible to supply several working air circuits with different output pressures via a single supply line.

## Napomene u vezi porudžbine

The port for the output pressure (P2) is on the rear! K-07250028: G 1/8. Lockable pressure regulator: K-07250027. If several devices in the »multifix-mini« Series are assembled together, the maximum working pressure is 12 bar.

## Artikal

Naziv	Navoj	Opseg regulacije	Protok (L/min)	A (mm)	B	C (mm)	D (mm)	DN	Konstrukciona veličina
K- 07 25 00 28	G 1/4	0.1 - 3 bar	1200	40,0	85,0 mm	63,0	22,0	5	0
K- 07 25 00 29	G 1/4	0.2 - 6 bar	1200	40,0	85,0 mm	63,0	22,0	5	0
K- 07 25 00 27	G 1/4	0.5 - 10 bar	1200	40,0	85,0 mm	63,0	22,0	5	0

## Rezervni delovi

K-HALTERBAUSATZ	Holder
K-SCHALTTAFELMUTTER	Nut
K-KOPPELPAKET MEHR	Coupling packet
K-VERSCHLEI-SATZ	Set of wearing parts