

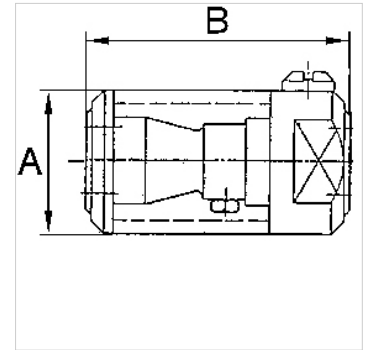
K-NEBELOELER MINI

Mini oil-mist lubricator

HANSA FLEX

Osobine

Radni pritisak	min. 2 bar - max. 6 bar
Temperatura medija	max. 50 °C
Temperatura okoline	Max. 50 °C
Položaj ugradnje smera protoka	Oil intake at the lowest point/any
Posuda za ulje	Polycarbonate
Vrsta ulja	CL 32 acc. to DIN 51517 - ISO VG 32



Napomena

Ostali podaci na upit.

Opis

For mounting on pneumatic impact tools (nail drivers, tackers, screwdrivers) which work intermittently. Also suitable for tools with continuous compressed air demand (grinding and polishing machines). Fixed drip rate: Approx. 0.4 cm³ per 100 work cycles, one filling = 3000 work cycles. Oil consumption in continuous operation (at 6 bar): 0.15 cm³ / Nm³ (varies depending on ambient temperature and oil used).

Artikal

Naziv	Navoj	A (mm)	B	DN
K- 07 25 09 11	G 1/4	33,0	60,0 mm	8
K- 07 25 09 12	G 3/8	33,0	60,0 mm	8