

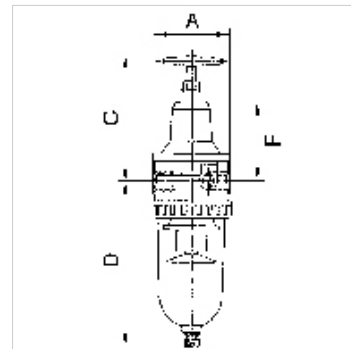
K-FI REGL PC-BEHAEL S H ABL STANDAR

Filter regulators with polycarbonate bowl, bowl guard and semi-automatic drain valve

HANSA FLEX

Osobine

Ulazni pritisak	Max. 16 bar (polycarbonate bowl), Max. 25 bar (metal bowl)
Opseg regulacije	0.5 to 10 bar (polycarbonate bowl), 0.5 to 16 bar (metal bowl)
Temperatura medija	max. 60 °C
Temperatura okoline	Max. 60 °C
Širina pora u elementu filtera	5 µm (Size 1 / Size 3), 40 µm (Size 2 / Size 4)
Zaptivni materijal	NBR
Kućište	Die-cast zinc (G1/4 to G1/2), silver painted / aluminium (G3/4 to G1), silver painted
Merenje vrednosti protoka	At P1 = 8 bar, P2 = 6 bar and pressure drop $\Delta p = 1$ bar



Napomena

Ostali podaci na upit.

Opis

Reversible diaphragm pressure regulators, independent of inlet pressure, with selfrelieving design, combined with a centrifugal separator.

Artikal

Naziv	Navoj	Protok (L/min)	A (mm)	C (mm)	D (mm)	DN	F (mm)
K- 07 25 06 68	G 1/4	900	54,0	106,5	129,7	8	62,0
K- 07 25 06 71	G 3/8	900	54,0	106,5	129,7	8	62,0
K- 07 25 06 74	G 3/8	1500	70,0	120,5	145,9	11	76,5
K- 07 25 06 78	G 1/2	3000	82,0	130,0	169,4	14	83,0
K- 07 25 06 81	G 3/4	7000	125,0	190,6	261,4	25	145,0
K- 07 25 06 84	G 1	7000	125,0	190,6	261,4	25	145,0

Rezervni delovi

K-HALTERBAUSATZ STANDARD	Holder
K-SCHUTZKORB G	Protective cage
K-FILTERELEMENT	Filter element
K-VERSCHLEI-SATZ	Set of wearing parts
K-XV AGM MS NI	Double nipples, parallel male thread, nickel-plated brass
K-LOESBARE DOPPELNIPPEL MS	Double nipples
K-ABLASSVENTIL AUTO	Fully-automatic drain valve with Adapter G 1/8
K-AUTOMAT ABLASSVENTIL	Automatic drain valve