

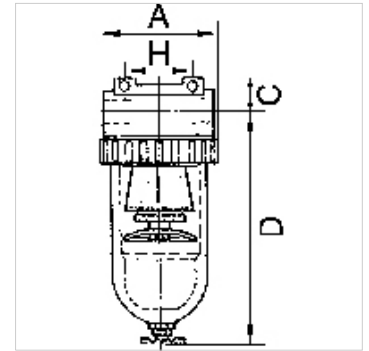
# K-FI SPEZI PC-BEHAEL H K STANDARD

Special filters with polycarbonate bowl and bowl guard, with semi-automatic drain valve to G 1/2 and manual drain valve from G 3/4

**HANSA FLEX**

## Osobine

Ulazni pritisak	Max. 16 bar (polycarbonate bowl / bowl guard), Max. 25 bar (metal bowl)
Temperatura medija	max. 50 °C
Temperatura okoline	Max. 50 °C
Stepen dejstva	99.999 %
Širina pora u elementu filtera	0.01 µm
Kućište	Die-cast zinc, painted silver
Merenje vrednosti protoka	At P2 = 6 bar and pressure drop $\Delta p = 1$ bar



## Napomena

Ostali podaci na upit.

## Opis

For all applications with particularly strict compressed air purity requirements. The separating efficiency of these filters permits very fine oil vapour particles and micro-fine suspended particles to be filtered. A standard filter should always be connected upstream to trap coarse impurities and protect the micro-filter inserts.

## Artikal

Naziv	Navoj	Protok (L/min)	A (mm)	C (mm)	D (mm)	H (mm)	DN
K- 07 25 10 75	G 1/4	380	48,0	14,0	131,6	38,0	6
K- 07 25 10 78	G 3/8	380	48,0	14,0	131,6	38,0	6
K- 07 25 10 80	G 3/8	720	70,0	16,0	145,7	50,0	10
K- 07 25 10 82	G 1/2	1250	79,0	18,0	168,4	50,0	15
K- 07 25 10 85	G 3/4	7000	133,0	36,0	206,0	134,0	20
K- 07 25 10 88	G 1	7000	133,0	36,0	206,0	120,0	25

## Rezervni delovi

K-HALTERBAUSATZ STANDARD	Holder
K-FILTERELEMENT STANDARD	Filter element
K-SCHUTZKORB G	Protective cage
K-XV AGM MS NI	Double nipples, parallel male thread, nickel-plated brass
K-LOESBARE DOPPELNIPPEL MS	Double nipples