

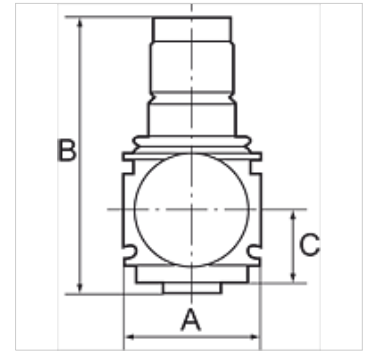
K-DRG DRVS VARIOBLOC

Pressure regulators with pressure supply at both ends

HANSA FLEX

Osobine

Ulazni pritisak	Max. 25 bar
Temperatura medija	max. 50 °C
Temperatura okoline	Max. 50 °C
Zaptivni materijal	NBR
Poklopac opruge	POM-brass
Kućište	Die-cast zinc
Merenje vrednosti protoka	At P1 = 10 bar, P2 = 6 bar and pressure drop $\Delta p = 1$ bar



Napomena

Ostali podaci na upit.

Opis

Diaphragm pressure regulators with self-relieving design for mounting side by side. The pressure setting can be locked by pushing the knob down.
By assembling two or more controllers together, it is possible to supply several working air circuits with different output pressures via a single supply line.

Napomene u vezi porudžbine

Pressure regulators are also available in lockable version. Please ask for more information.

Artikal

Naziv	Navoj	Opseg regulacije	Protok (L/min)	A (mm)	B	C (mm)
K- 07 25 04 33	G 1/4	0.5 - 6 bar	1800	48,0	98,0 mm	26,0
K- 07 25 04 34	G 1/4	0.5 - 10 bar	1800	48,0	98,0 mm	26,0
K- 07 25 04 35	G 1/4	0.5 - 16 bar	1800	48,0	98,0 mm	26,0
K- 07 25 04 36	G 3/8	0.5 - 6 bar	1800	48,0	98,0 mm	26,0
K- 07 25 04 37	G 3/8	0.5 - 10 bar	1800	48,0	98,0 mm	26,0
K- 07 25 04 38	G 3/8	0.5 - 16 bar	1800	48,0	98,0 mm	26,0

Rezervni delovi

K-VERSCHLEI-SATZ VARIOBLOC Set of wearing parts