

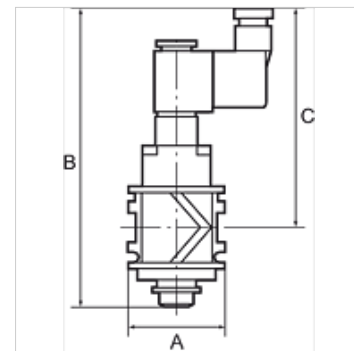
# K-SCHALTVENTILE 3/2 VAROBLOC

On-off valves (3/2-way valves)

**HANSA FLEX**

## Osobine

Vrsta zaštite	IP 65 acc. to DIN 40050
Radni pritisak	3 to 10 bar
Merenje vrednosti protoka	At P1 = 6 bar and pressure drop $\Delta p = 1$ bar



## Napomena

Ostali podaci na upit.

## Opis

For pressurising and relieving pneumatic systems. Ideal as the main "on" valve for service units. The pressure in the line is exhausted when the valve is switched off.

## Artikal

Naziv	Navoj	Protok (L/min)	A (mm)	Priključak	B	C (mm)	Napon
K- 07 25 11 94	G 1/4	2200	48,0	Device plug PG 9, type B, EN 175301-803	147,0 mm	108,0	24 V DC
K- 07 25 11 95	G 3/8	2600	48,0	Device plug PG 9, type B, EN 175301-803	147,0 mm	108,0	24 V DC
K- 07 25 11 96	G 1/2	3300	70,0	Device plug PG 9, type B, EN 175301-803	157,0 mm	113,0	24 V DC
K- 07 25 11 97	G 3/4	3800	70,0	Device plug PG 9, type B, EN 175301-803	157,0 mm	113,0	24 V DC
K- 07 25 11 98	G 1	3800	124,0	Device plug PG 9, type B, EN 175301-803	157,0 mm	113,0	24 V DC

## Rezervni delovi

K-MAGNETSPULE VARIOBLOC	Solenoid
K-GERAETESTECKER	Coupling socket