

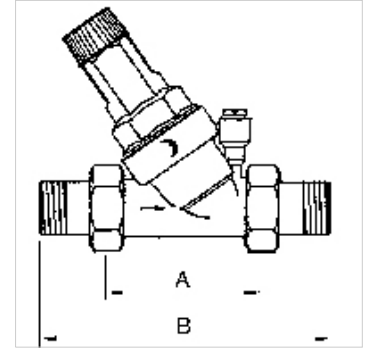
K-DRG SAXONIA M MANO

Pressure regulators

HANSA FLEX

Osobine

Ulazni pritisak	Max. 16 bar
Mediji	Drinking water
Radna temperatura	Max. 30 °C
Zaptivni materijal	NBR
Poklopac opruge	Plastic
Kućište	Brass
Časasto sito	Plastic, with control dial for back pressure
Ostali podaci	DVGW Zertifikat



Napomena

Ostali podaci na upit.

Opis

Diaphragm pressure regulators with pressure-reduced single-seated valve and built-in strainer. These pressure regulators, which are independent of inlet pressure, protect domestic water installations against excessive supply pressure. They can also be used for commercial or industrial purposes providing their specification is adequate.

Artikal

Naziv	Navoj	DN	Opseg regulacije	kvs-vrednost protoka (m ³ /h)	A (mm)	B
K- 07 25 04 72	R 3/4	20	1.5 - 6 bar	3,4	90,0	158,0 mm
K- 07 25 04 73	R 1	25	1.5 - 6 bar	5,3	100,0	184,0 mm
K- 07 25 04 74	R 1 1/4	32	1.5 - 6 bar	8,6	130,0	228,0 mm

Rezervni delovi

K-VENTILAUSTAUSCHSATZ	Valve replacement kit
K-ERSATZSIEBE	Replacement strainer
K-RMM U STAHL	Standard pressure gauges (sheet steel housing / connection radial on bottom)