

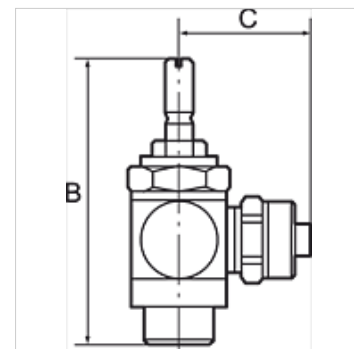
K-DRV SCHNVERSCHR V RAENDEL

Unidirectional flow control valves, incoming air restriction (»V«), quick-lock screw fitting

HANSA FLEX

Osobine

Radni pritisak	maks. 10 bara
Temperaturni opseg	0 °C to +70 °C
Šuplji zavrtnaj, obrtni rukavac, zavrtnaj za regulaciju	Nickel-plated brass
Unutrašnji delovi	Brass with a bare metal surface
Zaptivka O-prstena	NBR
Zaptivke (sa osiguračem)	Polyamide (glass fibre-reinforced)



Napomena

Ostali podaci na upit.

Opis

For fine regulation of a cylinder piston speed in the forward and return motion and precise control of flow rates. Designed as a banjo-type valve with a hollow bolt and ring piece. Can be screwed directly onto the valve or cylinder. Compact type of construction, also ideal where space is restricted. On the version with a knurled screw, the set volumetric flow rate can be locked with the hexagon nut to obtain a fixed setting.

Artikal

Naziv	C (mm)	za crevo	Navoj	SW	B (mm)
K- 07 15 05 10	18,0	4 mm / 2,5 mm	M 5	8 mm	38,9
K- 07 15 05 11	19,0	5 mm / 3 mm	M 5	8 mm	38,9
K- 07 15 05 12	19,0	6 mm / 4 mm	M 5	8 mm	38,9
K- 07 15 05 18	23,0	5 mm / 3 mm	G 1/8	14 mm	42,4
K- 07 15 05 19	25,0	6 mm / 4 mm	G 1/8	14 mm	42,4
K- 07 15 05 20	25,0	8 mm / 6 mm	G 1/8	14 mm	42,4
K- 07 15 05 15	26,5	6 mm / 4 mm	G 1/4	17 mm	51,4
K- 07 15 05 16	27,5	8 mm / 6 mm	G 1/4	17 mm	51,4
K- 07 15 05 14	28,5	10 mm / 8 mm	G 1/4	17 mm	51,4