

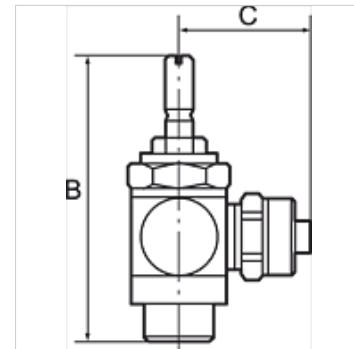
# K-DV STECK B RAENDEL

Bidirectional flow control valves, air restriction at both ends (»B«), plug-in connector

**HANSA FLEX**

## Osobine

Radni pritisak	maks. 10 bara
Temperaturni opseg	0 °C to +70 °C
Šuplji zavrtnaj, obrtni rukavac, zavrtnaj za regulaciju	Nickel-plated brass
Unutrašnji delovi	Brass with a bare metal surface
Zaptivka O-prstena	NBR
Zaptivke (sa osiguračem)	Polyamide (glass fibre-reinforced)



## Napomena

Ostali podaci na upit.

## Opis

For regulation of a cylinder piston speed at both ends and control of flow rates. Designed as a banjo-type valve with a hollow bolt and ring piece for mounting directly. <br>On the version with a knurled screw, the set volumetric flow rate can be locked with the hexagon nut to obtain a fixed setting.

## Artikal

Naziv	C (mm)	za crevo	Navoj	SW	B (mm)
K- 07 15 04 83	18,6	4 mm	M 5	8 mm	38,9
K- 07 15 04 87	20,6	4 mm	G 1/8	14 mm	42,0
K- 07 15 04 88	22,7	6 mm	G 1/8	14 mm	42,0
K- 07 15 04 89	23,7	8 mm	G 1/8	14 mm	42,0
K- 07 15 04 85	24,2	6 mm	G 1/4	17 mm	51,0
K- 07 15 04 86	24,7	8 mm	G 1/4	17 mm	51,0
K- 07 15 04 84	26,8	10 mm	G 1/4	17 mm	51,0