

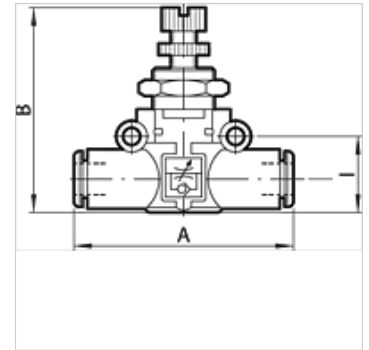
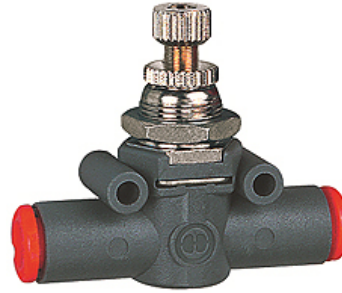
# K-DUFR E SCHL SCHL

Flow regulators, flow at one end, pipe - pipe

**HANSA FLEX**

## Osobine

Radni pritisak	maks. 10 bara
Protok 6,3bara	155 l/min (Ø 4), 450 l/min (Ø 6), 850 l/min (Ø 8)
Prot. Odzračivanje 6,3bara	160 l/min (Ø 4), 550 l/min (Ø 6), 950 l/min (Ø 8)
Podešavanje	Manual or screwdriver
Temperaturni opseg	-20 °C to +60 °C
Telo	Technopolymer
Unutrašnji delovi	nickel-plated brass, brass, technopolymer, stainless steel
Zaptivni materijal	NBR
Montaža	Wall mounting (housing with drilled holes) Bracket mounting (mounting bracket available) Panel mounting (with bracket or lock nut)
Simbol	on the housing



## Napomena

Ostali podaci na upit.

## Opis

A carefully selected assortment of products for installation in pneumatic circuits. These small, highly efficient components allow all pneumatic functions to be implemented anywhere in the circuit. The series has an ultramodular design. All components can be installed in parallel, in series, in a mixed parallel / serial configuration. Available as Pipe / pipe connection with two plug connectors Thread / pipe connection, with one plug connector and one nickel-plated brass thread.

## Artikal

Naziv	Ø za crevo (mm)	A (mm)	B (mm)	l (mm)
K- 07 15 05 82	4	42,0	35,0	12,7
K- 07 15 05 83	6	49,4	40,0	14,6
K- 07 15 05 84	8	57,3	49,0	18,7