

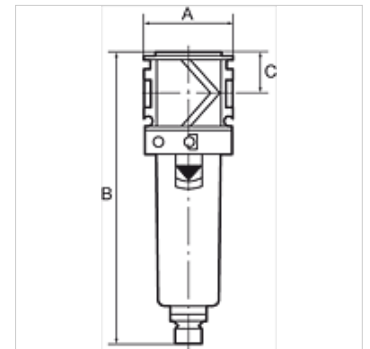
K-FI PC-BEHÄLTER SCHUTZ VARIOBLOC

Filters with polycarbonate bowl and bowl guard

HANSA FLEX

Osobine

Ulazni pritisak	Max. 16 bar (polycarbonate bowl), Max. 20 bar (metal bowl)
Temperatura medija	max. 50 °C
Temperatura okoline	Max. 50 °C (polycarbonate bowl), Max. 80 °C (metal bowl)
Širina pora u elementu filtera	40 µm
Zaptivni materijal	NBR
Kućište	Die-cast zinc
Drain valve	Manual
Merenje vrednosti protoka	At P1 = 6 bar and pressure drop $\Delta p = 1$ bar



Napomena

Ostali podaci na upit.

Opis

Centrifugal separators with a sintered filter element. Filtration takes place in a 2-stage process comprising cyclone separation (condensate) and a PE filter element (particles). Approved series in modern industrial design, with the following key benefits: Simple handling, Convenient modular assembly thanks to innovative fasteners, Excellent flow values.

Napomene u vezi porudžbine

Filters are also available with bowl guard or metal bowl.

Artikal

Naziv	Navoj	Protok (L/min)	A (mm)	B	C (mm)
K- 07 25 23 06	G 1/4	1800	48,0	155,0 mm	22,0
K- 07 25 23 05	G 3/8	2000	48,0	155,0 mm	22,0
K- 07 25 23 04	G 1/2	3200	70,0	202,0 mm	26,0
K- 07 25 23 03	G 3/4	3500	70,0	202,0 mm	26,0
K- 07 25 23 02	G 1	3500	124,0	202,0 mm	26,0