

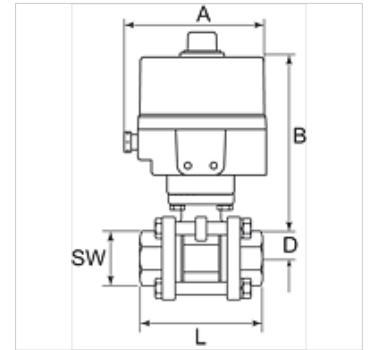
K-BKR ELK 24VDC

Stainless steel ball valves with electric actuator 24 VDC

HANSA FLEX

Osobine

| | |
|-----------------------------------|---|
| Temperatura medija | -20 °C to +70 °C |
| Radni pritisak | max. 63 bar (depending on temperature and nominal size) |
| Radni ciklus | ED 30 % |
| Vlažnost vazduha | 30 % to 95 % |
| Položaji elementa za uključivanje | Manually operated |
| Klasa zaštite | IP 67 |
| Vreme podešavanja | 13 sec. = 230 VAC, 50 Hz 15 sec. = 24 VDC |
| Temperatura okoline | -20 °C do +60 °C |
| Ugradna dužina | DIN 3203 - M3 |
| Montažna prirubnica | ISO 5211 |
| Kućište | Aluminium, powder-coated |
| Kuglični ventil | Stainless steel 1.4401/1.4408 |
| Zaptivka kugle | PTFE, glass fibre-reinforced |
| Zaptivka komutacione osovine | PTFE, glass fibre-reinforced |



Napomena

Ostali podaci na upit.

Opis

Voltage range 230 VAC, 50 Hz or 24 VDC.
Reversible electric rotary actuator.

Artikal

| Naziv | DN | Navoj | A (mm) | B (mm) | D (mm) | L (mm) | SW (mm) |
|----------------|----|----------|-----------|-----------|-----------|-----------|------------|
| K- 07 30 20 70 | 15 | Rp 1/2 | 152,0 | 191,0 | 24,0 | 75,0 | 29 |
| K- 07 30 20 71 | 20 | Rp 3/4 | 152,0 | 195,0 | 26,0 | 80,0 | 35 |
| K- 07 30 20 72 | 25 | Rp 1 | 152,0 | 203,0 | 29,0 | 90,0 | 41 |
| K- 07 30 20 73 | 32 | Rp 1 1/4 | 152,0 | 209,0 | 36,0 | 110,0 | 50 |
| K- 07 30 20 74 | 40 | Rp 1 1/2 | 152,0 | 219,0 | 40,0 | 120,0 | 58 |
| K- 07 30 20 75 | 50 | Rp 2 | 152,0 | 275,0 | 48,0 | 140,0 | 72 |