

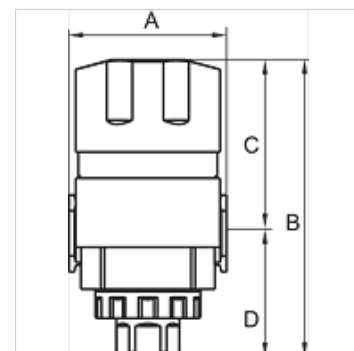
K-3/2 ABSPERRVENTILE HW SCHL G-MINI

3/2-way shut-off valve

HANSA FLEX

Osobine

Ulazni pritisak	0 - 9 bar
Temperatura medija	max. 70 °C
Temperatura okoline	Max. 70 °C
Prikjučak za odzračivanje	G 1/4
Zapivni materijal	NBR
Kućište	Die-cast aluminium
Pritega	Plastic
Merenje vrednosti protoka	At P1 = 8 bar, P2 = 6 bar and pressure drop $\Delta p = 1$ bar
Ostali podaci	User manual on request



Artikal

Naziv	Navoj	Protok (L/min)	A (mm)	B	C (mm)	D (mm)	Konstrukciona veličina
K- 07 25 12 29	G 1/8	1750	38,0	89,0 mm	52,5	36,5	200
K- 07 25 12 30	G 1/4	1750	38,0	89,0 mm	52,5	36,5	200

Pribor

K-VERBINDUNGELEMENTE	Connecting sets
K-WANDHALTER	Wall bracket
K-HALTERBAUSATZ	Holder