

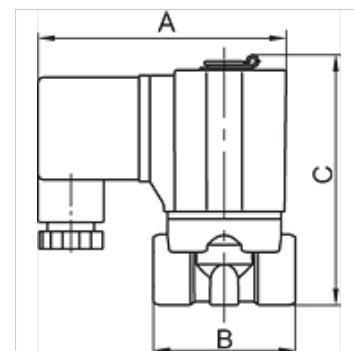
K-MV G (NC) V 24 V DC

Normally closed (NC), pilot-operated, 24 V DC

HANSA FLEX

Osobine

Priključak na električnu mrežu	device socket type A in acc. with ISO 4400 for all valves with threads G 3/8 & G 1/2, except valves type 3 & 4. Device socket
Vrsta zaštite	IP 65
Temperatura medija	max. 80 °C when using water or oils; max. 90 °C when using with air
Opis navoja	G thread acc. DIN EN ISO 228-1
Kućište, sedište ventila	Brass
Unutrašnji delovi	Stainless steel
Zaptivka	FPM



Napomena

Ostali podaci na upit.

Opis

Standard series in two different versions: Directly operated, Pilot-operated. For all applications with compressed air, neutral gases or low-viscosity, neutral media.

Artikal

Naziv	Navoj	maks. radni pritisak (bar)	maks. radni pritisak (bar)	NW	A (mm)	B (mm)	C (mm)	Konstrukcija
K- 07 30 01 75	G 1/2	10	0,50	15,0	70,0	70,0	107,0	3
K- 07 30 01 76	G 3/4	10	0,50	20,0	70,0	82,0	115,4	3
K- 07 30 01 77	G 1	10	0,50	25,0	70,0	92,0	124,0	3